



## 250MHz, Rail-to-Rail I/O, CMOS OPERATIONAL AMPLIFIERS

### FEATURES

- **UNITY-GAIN BANDWIDTH: 250MHz**
- **WIDE BANDWIDTH: 100MHz GBW**
- **HIGH SLEW RATE: 150V/ $\mu$ s**
- **LOW NOISE: 6.5nV/ $\sqrt{\text{Hz}}$**
- **RAIL-TO-RAIL I/O**
- **HIGH OUTPUT CURRENT: > 100mA**
- **EXCELLENT VIDEO PERFORMANCE:**  
Diff Gain: 0.02%, Diff Phase: 0.09°  
0.1dB Gain Flatness: 40MHz
- **LOW INPUT BIAS CURRENT: 3pA**
- **QUIESCENT CURRENT: 4.9mA**
- **THERMAL SHUTDOWN**
- **SUPPLY RANGE: 2.5V to 5.5V**
- **MicroSIZE AND PowerPAD™ PACKAGES**

### APPLICATIONS

- VIDEO PROCESSING
- ULTRASOUND
- OPTICAL NETWORKING, TUNABLE LASERS
- PHOTODIODE TRANSIMPEDANCE AMPS
- ACTIVE FILTERS
- HIGH-SPEED INTEGRATORS
- ANALOG-TO-DIGITAL (A/D) CONVERTER INPUT BUFFERS
- DIGITAL-TO-ANALOG (D/A) CONVERTER OUTPUT AMPLIFIERS
- BARCODE SCANNERS
- COMMUNICATIONS

PowerPAD is a trademark of Texas Instruments.

### DESCRIPTION

The OPA354 series of high-speed, voltage-feedback CMOS operational amplifiers are designed for video and other applications requiring wide bandwidth. They are unity-gain stable and can drive large output currents. Differential gain is 0.02% and differential phase is 0.09°. Quiescent current is only 4.9mA per channel.

The OPA354 series op amps are optimized for operation on single or dual supplies as low as 2.5V ( $\pm 1.25\text{V}$ ) and up to 5.5V ( $\pm 2.75\text{V}$ ). Common-mode input range extends beyond the supplies. The output swing is within 100mV of the rails, supporting wide dynamic range.

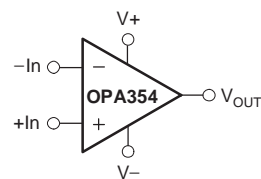
For applications requiring the full 100mA continuous output current, single and dual SO-8 PowerPAD versions are available.

The single version (OPA354), is available in the tiny SOT23-5 and SO-8 PowerPAD packages. The dual version (OPA2354) comes in the miniature MSOP-8 and SO-8 PowerPAD packages. The quad version (OPA4354) is offered in TSSOP-14 and SO-14 packages.

Multichannel versions feature completely independent circuitry for lowest crosstalk and freedom from interaction. All are specified over the extended  $-40^\circ\text{C}$  to  $+125^\circ\text{C}$  temperature range.

### OPAx354 RELATED PRODUCTS

FEATURES	PRODUCT
Shutdown Version of OPA354 Family	OPAx357
200MHz GBW, Rail-to-Rail Output, CMOS, Shutdown	OPAx355
200MHz GBW, Rail-to-Rail Output, CMOS	OPAx356
38MHz GBW, Rail-to-Rail Input/Output, CMOS	OPAx350/3
75MHz BW G = 2, Rail-to-Rail Output	OPAx631
150MHz BW G = 2, Rail-to-Rail Output	OPAx634
100MHz BW, Differential Input/Output, 3.3V Supply	THS412x



Please be aware that an important notice concerning availability, standard warranty, and use in critical applications of Texas Instruments semiconductor products and disclaimers thereto appears at the end of this data sheet.

All trademarks are the property of their respective owners.

**ABSOLUTE MAXIMUM RATINGS<sup>(1)</sup>**

Supply Voltage, V+ to V- . . . . .	7.5V
Signal Input Terminals Voltage <sup>(2)</sup> . . . . . (V-) – (0.5V) to (V+) + (0.5V)	
Current <sup>(2)</sup> . . . . .	10mA
Output Short-Circuit <sup>(3)</sup> . . . . .	Continuous
Operating Temperature . . . . .	–55°C to +150°C
Storage Temperature . . . . .	–65°C to +150°C
Junction Temperature . . . . .	+150°C
Lead Temperature (soldering, 10s) . . . . .	+300°C

- (1) Stresses above these ratings may cause permanent damage. Exposure to absolute maximum conditions for extended periods may degrade device reliability. These are stress ratings only, and functional operation of the device at these or any other conditions beyond those specified is not supported.
- (2) Input terminals are diode-clamped to the power-supply rails. Input signals that can swing more than 0.5V beyond the supply rails should be current limited to 10mA or less.
- (3) Short-circuit to ground, one amplifier per package.



**ELECTROSTATIC DISCHARGE SENSITIVITY**

This integrated circuit can be damaged by ESD. Texas Instruments recommends that all integrated circuits be handled with appropriate precautions. Failure to observe proper handling and installation procedures can cause damage.

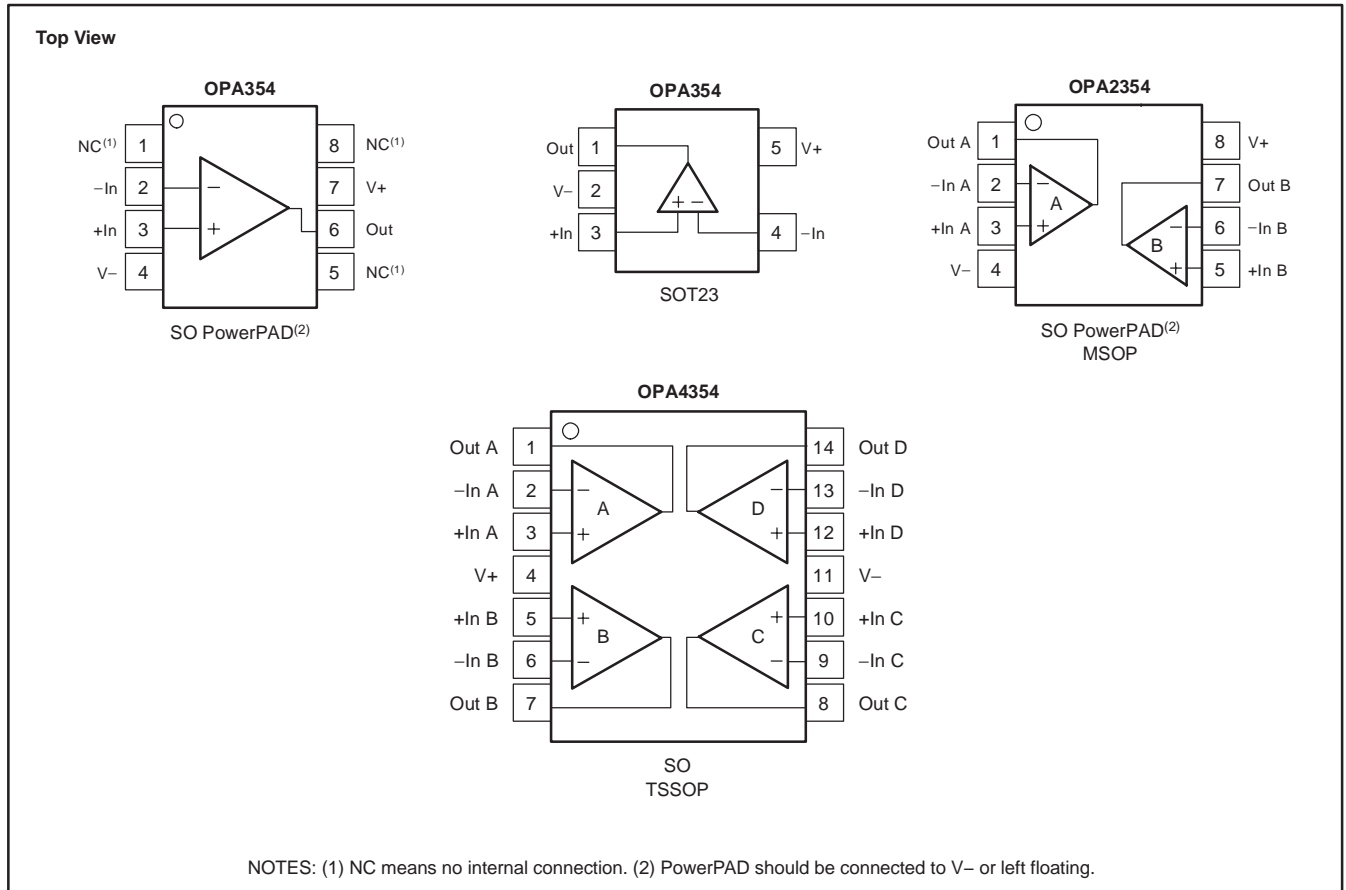
ESD damage can range from subtle performance degradation to complete device failure. Precision integrated circuits may be more susceptible to damage because very small parametric changes could cause the device not to meet its published specifications.

**PACKAGE/ORDERING INFORMATION<sup>(1)</sup>**

PRODUCT	PACKAGE-LEAD	PACKAGE DESIGNATOR	SPECIFIED TEMPERATURE RANGE	PACKAGE MARKING	ORDERING NUMBER	TRANSPORT MEDIA, QUANTITY
OPA354 "	SO-8 PowerPAD "	DDA "	–40°C to +125°C "	OPA354A "	OPA354AIDDA OPA354AIDDAR	Rails, 97 Tape and Reel, 2500
OPA354 "	SOT23-5 "	DBV "	–40°C to +125°C "	OABI "	OPA354AIDBVT OPA354AIDBVR	Tape and Reel, 250 Tape and Reel, 3000
OPA2354 "	SO-8 PowerPAD "	DDA "	–40°C to +125°C "	OPA2354A "	OPA2354AIDDA OPA2354AIDDAR	Rails, 97 Tape and Reel, 2500
OPA2354 "	MSOP-8 "	DGK "	–40°C to +125°C "	OACI "	OPA2354AIDGKT OPA2354AIDGKR	Tape and Reel, 250 Tape and Reel, 2500
OPA4354 "	SO-14 "	D "	–40°C to +125°C "	OPA4354A "	OPA4354AID OPA4354AIDR	Rails, 58 Tape and Reel, 2500
OPA4354 "	TSSOP-14 "	PW "	–40°C to +125°C "	OPA4354A "	OPA4354AIPWT OPA4354AIPWR	Tape and Reel, 250 Tape and Reel, 2500

(1) For the most current package and ordering information, see the Package Option Addendum located at the end of this data sheet.

## PIN CONFIGURATIONS



**ELECTRICAL CHARACTERISTICS:  $V_S = +2.7V$  to  $+5.5V$  Single-Supply**

**Boldface** limits apply over the specified temperature range,  $T_A = -40^{\circ}C$  to  $+125^{\circ}C$ .

At  $T_A = +25^{\circ}C$ ,  $R_F = 0\Omega$ ,  $R_L = 1k\Omega$ , and connected to  $V_S/2$ , unless otherwise noted.

PARAMETER	CONDITIONS	OPA354AI OPA2354AI, OPA4354AI			UNITS
		MIN	TYP	MAX	
<b>OFFSET VOLTAGE</b>					
Input Offset Voltage $V_{OS}$	$V_S = +5V$		$\pm 2$	$\pm 8$	mV
<b>vs Temperature</b>	<b>Specified Temperature Range</b>			<b><math>\pm 10</math></b>	<b>mV</b>
<b>vs Power Supply</b>	<b>Specified Temperature Range</b>		$\pm 4$		$\mu V/^{\circ}C$
	$V_S = +2.7V$ to $+5.5V$ , $V_{CM} = (V_S/2) - 0.15V$		$\pm 200$	$\pm 800$	$\mu V/V$
	<b>Specified Temperature Range</b>			<b><math>\pm 900</math></b>	<b><math>\mu V/V</math></b>
<b>INPUT BIAS CURRENT</b>					
Input Bias Current $I_B$			3	$\pm 50$	pA
Input Offset Current $I_{OS}$			$\pm 1$	$\pm 50$	pA
<b>NOISE</b>					
Input Voltage Noise Density $e_n$	$f = 1MHz$		6.5		$nV/\sqrt{Hz}$
Current Noise Density $i_n$	$f = 1MHz$		50		$fA/\sqrt{Hz}$
<b>INPUT VOLTAGE RANGE</b>					
Common-Mode Voltage Range $V_{CM}$		$(V-) - 0.1$		$(V+) + 0.1$	V
Common-Mode Rejection Ratio <b>CMRR</b>	$V_S = +5.5V$ , $-0.1V < V_{CM} < +3.5V$	66	80		dB
	<b>Specified Temperature Range</b>	<b>64</b>			<b>dB</b>
	$V_S = +5.5V$ , $-0.1V < V_{CM} < +5.6V$	56	68		dB
	<b>Specified Temperature Range</b>	<b>55</b>			<b>dB</b>
<b>INPUT IMPEDANCE</b>					
Differential			$10^{13} \parallel 2$		$\Omega \parallel pF$
Common-Mode			$10^{13} \parallel 2$		$\Omega \parallel pF$
<b>OPEN-LOOP GAIN</b>					
<b>Specified Temperature Range</b>	$V_S = +5V$ , $+0.3V < V_O < +4.7V$	94	110		dB
	<b><math>V_S = +5V</math>, <math>+0.4V &lt; V_O &lt; +4.6V</math></b>	<b>90</b>			<b>dB</b>
<b>FREQUENCY RESPONSE</b>					
Small-Signal Bandwidth $f_{-3dB}$	$G = +1$ , $V_O = 100mV_{PP}$ , $R_F = 25\Omega$		250		MHz
	$G = +2$ , $V_O = 100mV_{PP}$		90		MHz
Gain-Bandwidth Product <b>GBW</b>	$G = +10$		100		MHz
Bandwidth for 0.1dB Gain Flatness $f_{0.1dB}$	$G = +2$ , $V_O = 100mV_{PP}$		40		MHz
Slew Rate <b>SR</b>	$V_S = +5V$ , $G = +1$ , 4V Step		150		$V/\mu s$
	$V_S = +5V$ , $G = +1$ , 2V Step		130		$V/\mu s$
	$V_S = +3V$ , $G = +1$ , 2V Step		110		$V/\mu s$
Rise-and-Fall Time	$G = +1$ , $V_O = 200mV_{PP}$ 10% to 90%		2		ns
	$G = +1$ , $V_O = 2V_{PP}$ 10% to 90%		11		ns
Settling Time, 0.1%	$V_S = +5V$ , $G = +1$ , 2V Output Step		30		ns
0.01%			60		ns
Overload Recovery Time	$V_{IN} \cdot Gain = V_S$		5		ns
Harmonic Distortion					
2nd-Harmonic	$G = +1$ , $f = 1MHz$ , $V_O = 2V_{PP}$ , $R_L = 200\Omega$ , $V_{CM} = 1.5V$		-75		dBc
3rd-Harmonic	$G = +1$ , $f = 1MHz$ , $V_O = 2V_{PP}$ , $R_L = 200\Omega$ , $V_{CM} = 1.5V$		-83		dBc
Differential Gain Error	NTSC, $R_L = 150\Omega$		0.02		%
Differential Phase Error	NTSC, $R_L = 150\Omega$		0.09		degrees
Channel-to-Channel Crosstalk					
OPA2354	$f = 5MHz$		-100		dB
OPA4354			-84		dB

(1) See typical characteristics *Output Voltage Swing vs Output Current*.

(2) Specified by design.

**ELECTRICAL CHARACTERISTICS:  $V_S = +2.7V$  to  $+5.5V$  Single-Supply (continued)**

**Boldface** limits apply over the specified temperature range,  $T_A = -40^{\circ}C$  to  $+125^{\circ}C$ .

At  $T_A = +25^{\circ}C$ ,  $R_F = 0\Omega$ ,  $R_L = 1k\Omega$ , and connected to  $V_S/2$ , unless otherwise noted.

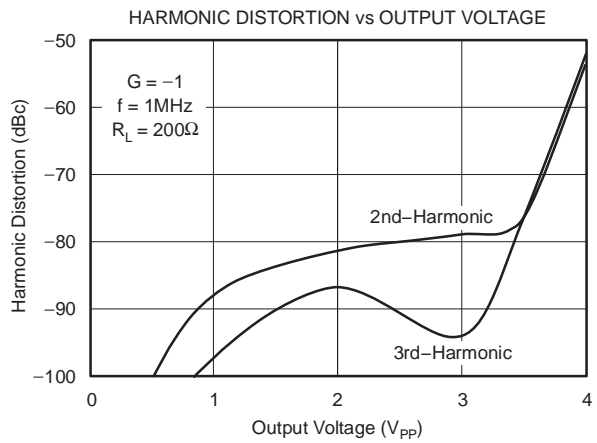
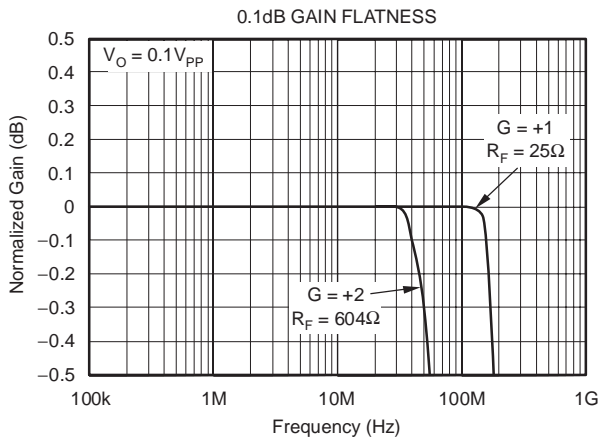
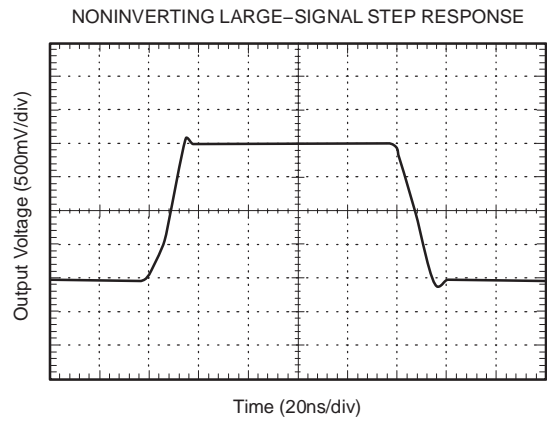
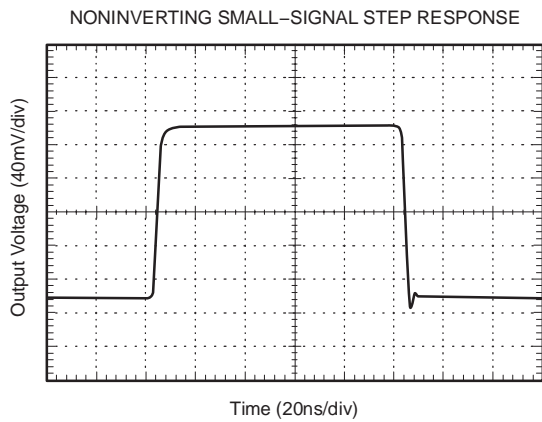
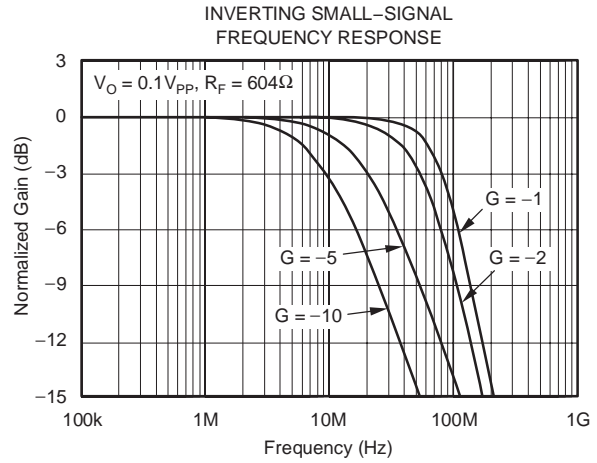
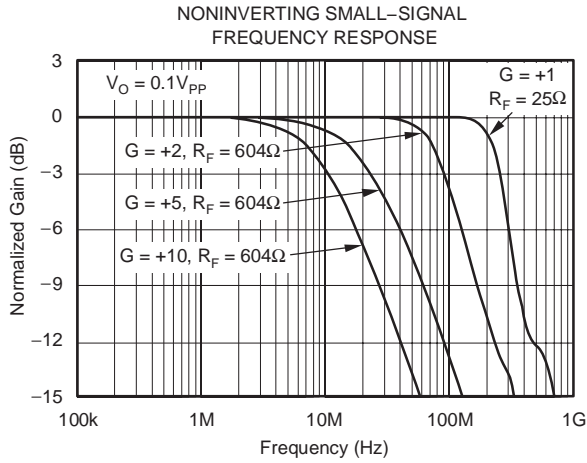
PARAMETER	CONDITIONS	OPA354AI OPA2354AI, OPA4354AI			UNITS
		MIN	TYP	MAX	
<b>OUTPUT</b>					
Voltage Output Swing from Rail	$V_S = +5V$ , $R_L = 1k\Omega$ , $A_{OL} > 94dB$		0.1	0.3	V
<b>Specified Temperature Range</b>	<b><math>V_S = +5V</math>, <math>R_L = 1k\Omega</math>, <math>A_{OL} &gt; 90dB</math></b>			<b>0.4</b>	<b>V</b>
Output Current <sup>(1)(2)</sup> , Single, Dual, Quad	$I_O$ $V_S = +5V$	100			mA
	$V_S = +3V$		50		mA
Closed-Loop Output Impedance	$f < 100kHz$		0.05		$\Omega$
Open-Loop Output Resistance	$R_O$		35		$\Omega$
<b>POWER SUPPLY</b>					
Specified Voltage Range	$V_S$	2.7		5.5	V
Operating Voltage Range			2.5 to 5.5		V
Quiescent Current (per amplifier)	$I_Q$ $V_S = +5V$ , Enabled, $I_O = 0$		4.9	6	mA
	<b>Specified Temperature Range</b>			<b>7.5</b>	<b>mA</b>
<b>THERMAL SHUTDOWN</b>					
Junction Temperature					
Shutdown			+160		$^{\circ}C$
Reset from Shutdown			+140		$^{\circ}C$
<b>TEMPERATURE RANGE</b>					
Specified Range		-40		+125	$^{\circ}C$
Operating Range		-55		+150	$^{\circ}C$
Storage Range		-65		+150	$^{\circ}C$
Thermal Resistance	$\theta_{JA}$				
SOT23-5, MSOP-8			150		$^{\circ}C/W$
TSSOP-14			100		$^{\circ}C/W$
SO-14			100		$^{\circ}C/W$
SO-8 PowerPAD			65		$^{\circ}C/W$

(1) See typical characteristics *Output Voltage Swing vs Output Current*.

(2) Specified by design.

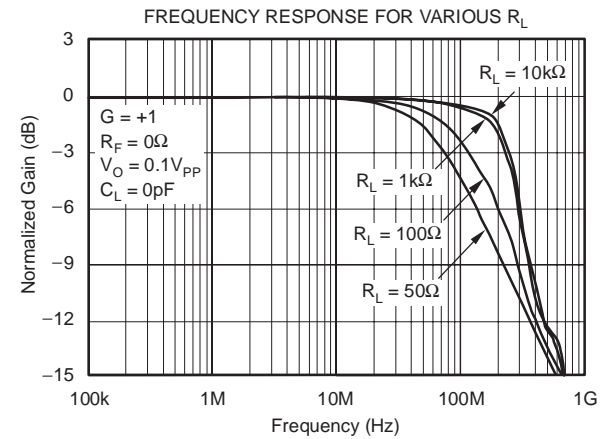
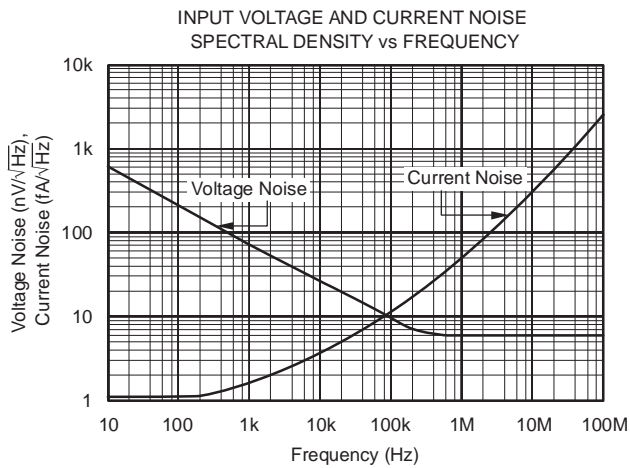
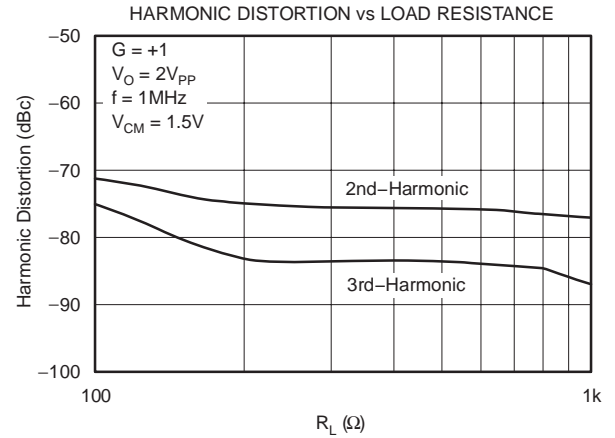
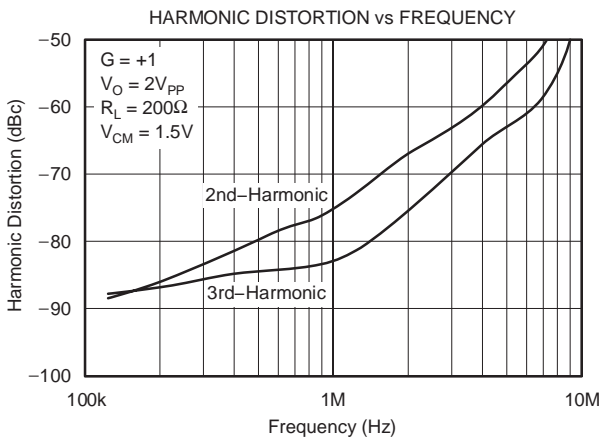
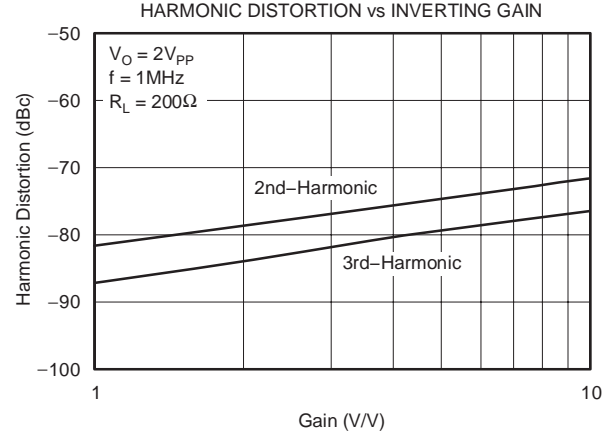
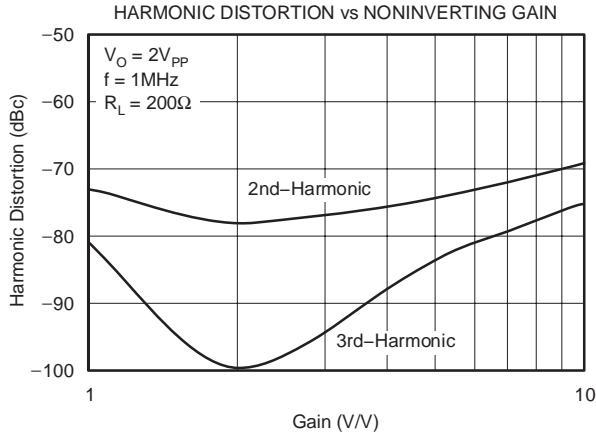
## TYPICAL CHARACTERISTICS

At  $T_A = +25^\circ\text{C}$ ,  $V_S = 5\text{V}$ ,  $G = +1$ ,  $R_F = 0\Omega$ ,  $R_L = 1\text{k}\Omega$ , and connected to  $V_S/2$ , unless otherwise noted.



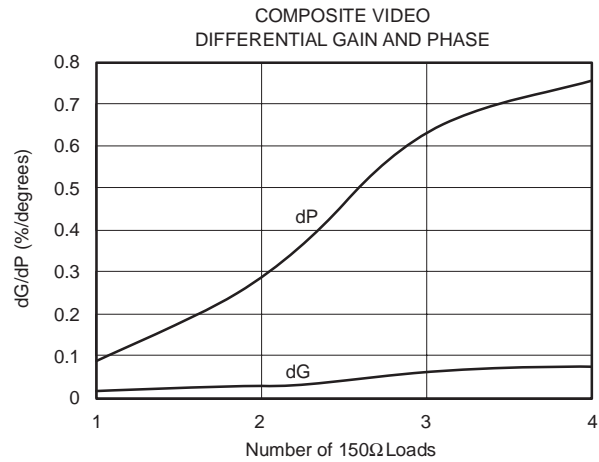
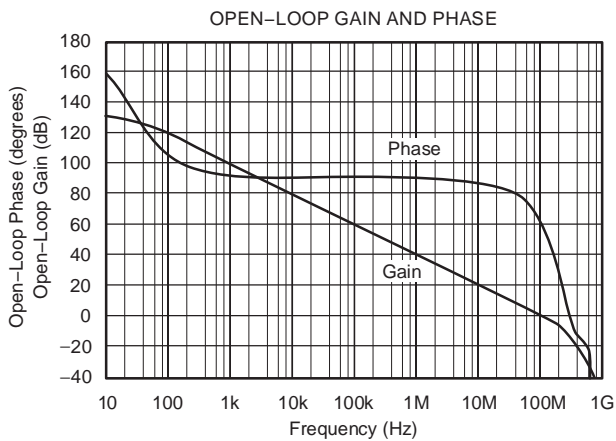
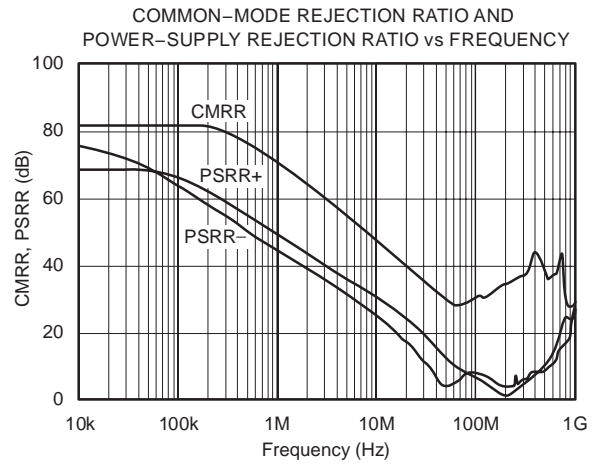
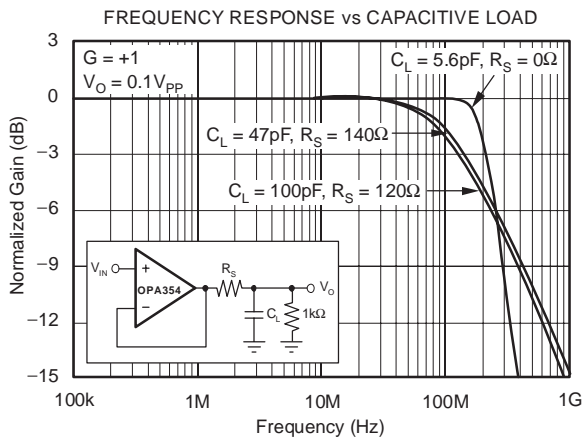
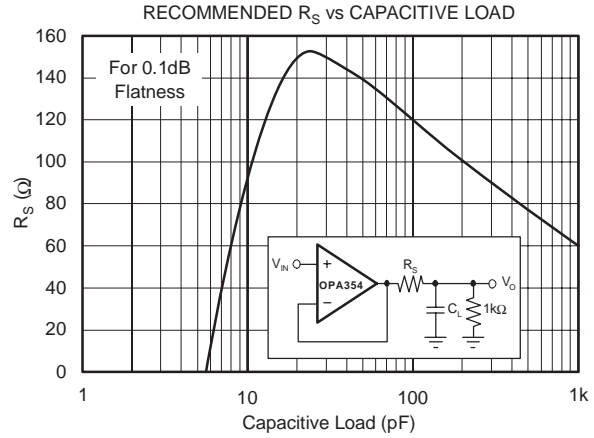
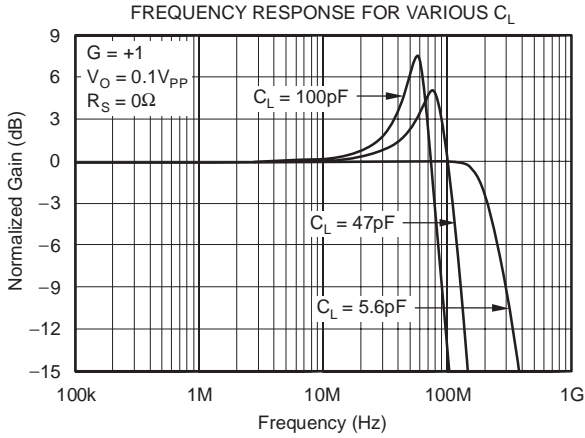
## TYPICAL CHARACTERISTICS (continued)

At  $T_A = +25^\circ\text{C}$ ,  $V_S = 5\text{V}$ ,  $G = +1$ ,  $R_F = 0\Omega$ ,  $R_L = 1\text{k}\Omega$ , and connected to  $V_S/2$ , unless otherwise noted.



**TYPICAL CHARACTERISTICS (continued)**

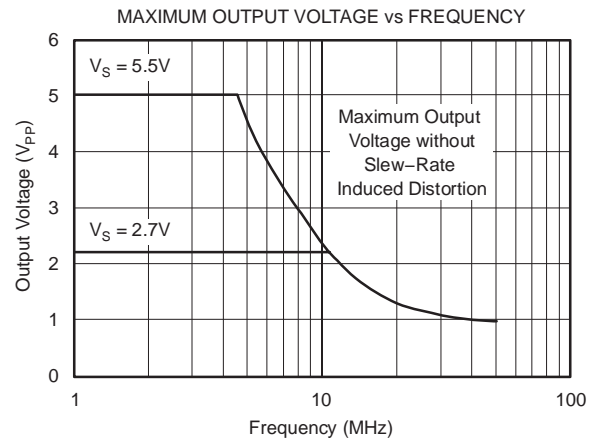
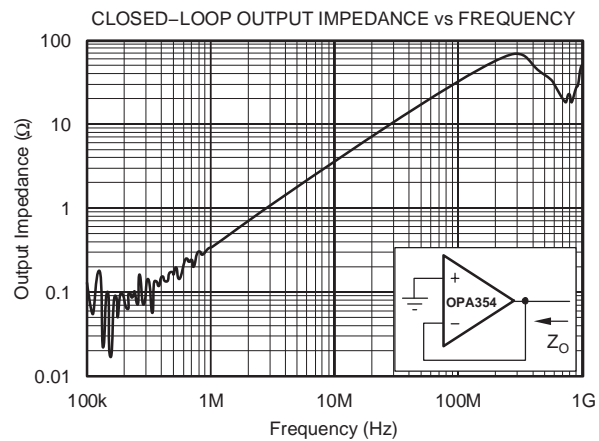
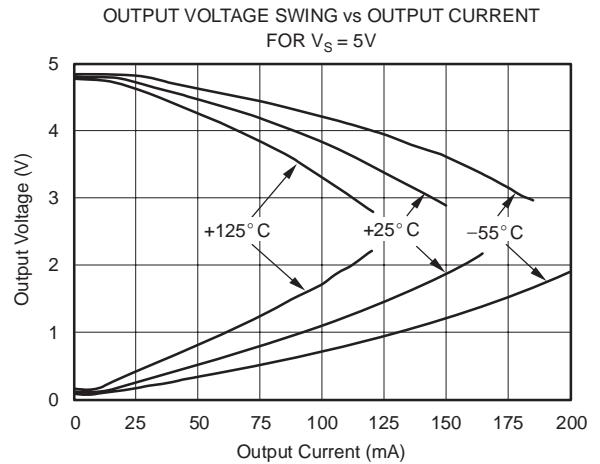
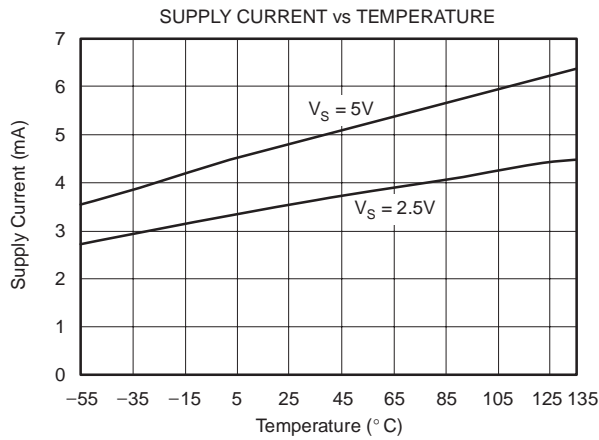
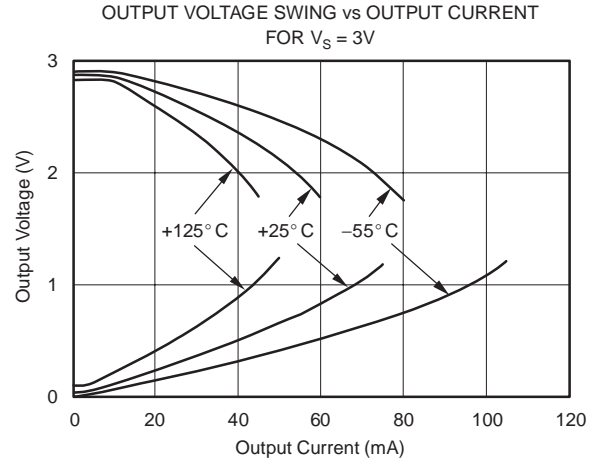
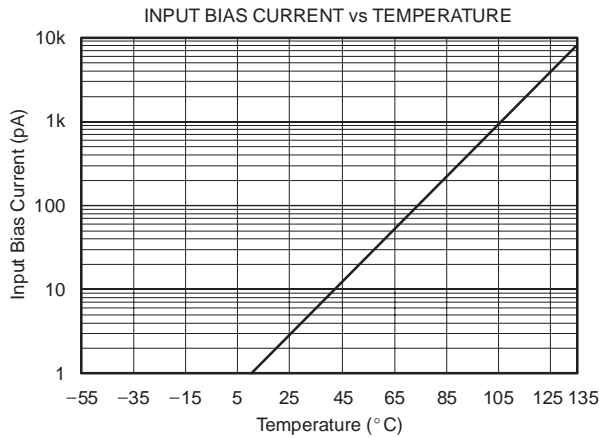
At  $T_A = +25^\circ\text{C}$ ,  $V_S = 5\text{V}$ ,  $G = +1$ ,  $R_F = 0\Omega$ ,  $R_L = 1\text{k}\Omega$ , and connected to  $V_S/2$ , unless otherwise noted.





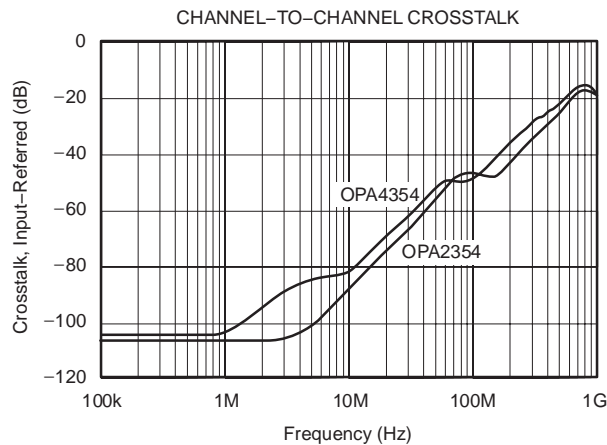
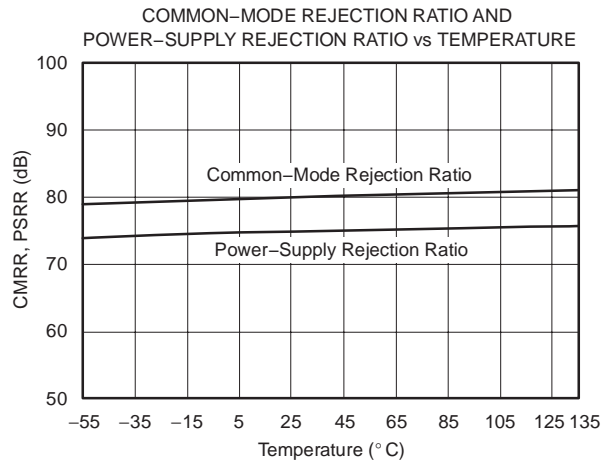
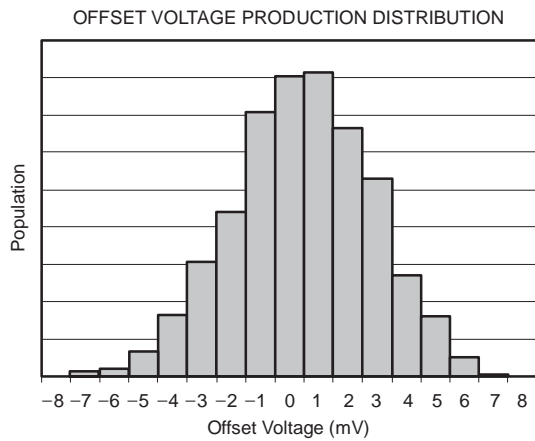
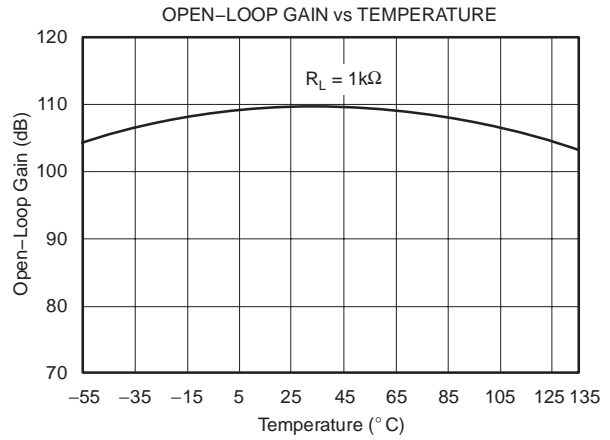
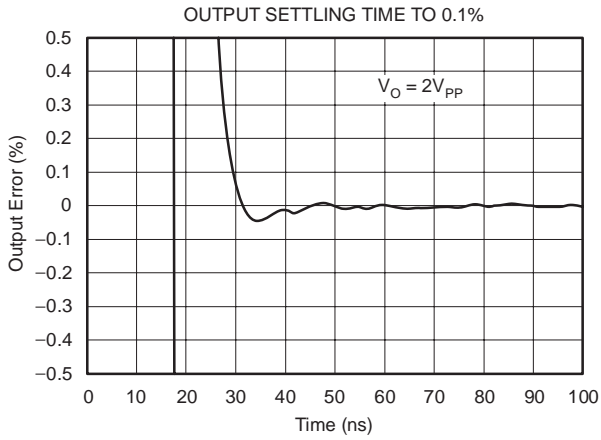
**TYPICAL CHARACTERISTICS (continued)**

At  $T_A = +25^\circ\text{C}$ ,  $V_S = 5\text{V}$ ,  $G = +1$ ,  $R_F = 0\Omega$ ,  $R_L = 1\text{k}\Omega$ , and connected to  $V_S/2$ , unless otherwise noted.



**TYPICAL CHARACTERISTICS (continued)**

At  $T_A = +25^\circ\text{C}$ ,  $V_S = 5\text{V}$ ,  $G = +1$ ,  $R_F = 0\Omega$ ,  $R_L = 1\text{k}\Omega$ , and connected to  $V_S/2$ , unless otherwise noted.



## APPLICATIONS INFORMATION

The OPA354 is a CMOS, rail-to-rail I/O, high-speed, voltage-feedback operational amplifier designed for video, high-speed, and other applications. It is available as a single, dual, or quad op amp.

The amplifier features a 100MHz gain bandwidth, and 150V/μs slew rate, but it is unity-gain stable and can be operated as a +1V/V voltage follower.

### OPERATING VOLTAGE

The OPA354 is specified over a power-supply range of +2.7V to +5.5V ( $\pm 1.35\text{V}$  to  $\pm 2.75\text{V}$ ). However, the supply voltage may range from +2.5V to +5.5V ( $\pm 1.25\text{V}$  to  $\pm 2.75\text{V}$ ). Supply voltages higher than 7.5V (absolute maximum) can permanently damage the amplifier.

Parameters that vary over supply voltage or temperature are shown in the typical characteristics section of this data sheet.

### RAIL-TO-RAIL INPUT

The specified input common-mode voltage range of the OPA354 extends 100mV beyond the supply rails. This is achieved with a complementary input stage—an

N-channel input differential pair in parallel with a P-channel differential pair, as shown in Figure 1. The N-channel pair is active for input voltages close to the positive rail, typically  $(V+) - 1.2\text{V}$  to 100mV above the positive supply, while the P-channel pair is on for inputs from 100mV below the negative supply to approximately  $(V+) - 1.2\text{V}$ . There is a small transition region, typically  $(V+) - 1.5\text{V}$  to  $(V+) - 0.9\text{V}$ , in which both pairs are on. This 600mV transition region can vary  $\pm 500\text{mV}$  with process variation. Thus, the transition region (both input stages on) can range from  $(V+) - 2.0\text{V}$  to  $(V+) - 1.5\text{V}$  on the low end, up to  $(V+) - 0.9\text{V}$  to  $(V+) - 0.4\text{V}$  on the high end.

A double-folded cascode adds the signal from the two input pairs and presents a differential signal to the class AB output stage.

### RAIL-TO-RAIL OUTPUT

A class AB output stage with common-source transistors is used to achieve rail-to-rail output. For high-impedance loads ( $> 200\Omega$ ), the output voltage swing is typically 100mV from the supply rails. With  $10\Omega$  loads, a useful output swing can be achieved while maintaining high open-loop gain. See the typical characteristic curve *Output Voltage Swing vs Output Current*.

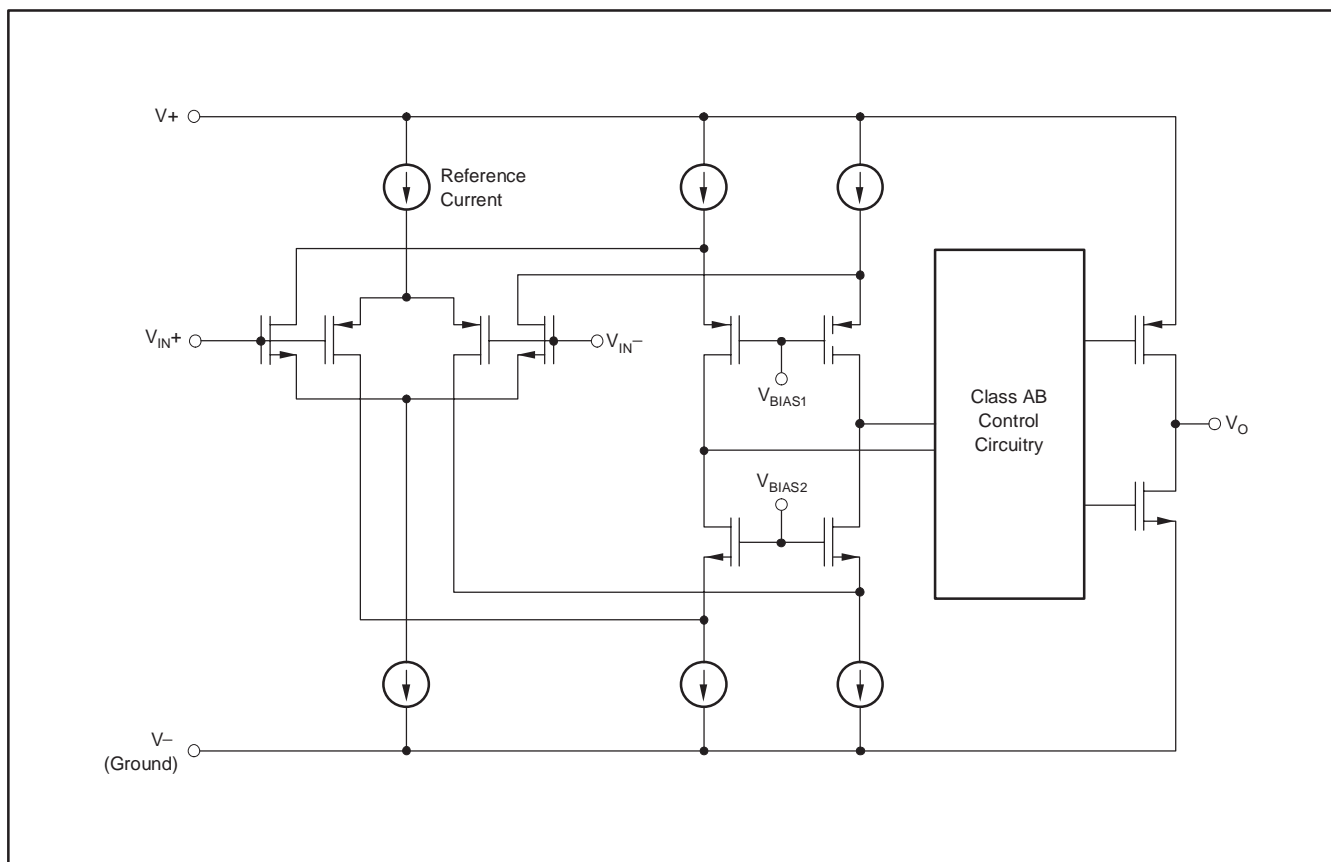


Figure 1. Simplified Schematic

## OUTPUT DRIVE

The OPA354's output stage can supply a continuous output current of  $\pm 100\text{mA}$  and still provide approximately 2.7V of output swing on a 5V supply, as shown in Figure 2. For maximum reliability, it is not recommended to run a continuous DC current in excess of  $\pm 100\text{mA}$ . Refer to the typical characteristic curve *Output Voltage Swing vs Output Current*. For supplying continuous output currents greater than  $\pm 100\text{mA}$ , the OPA354 may be operated in parallel, as shown in Figure 3.

The OPA354 will provide peak currents up to 200mA, which corresponds to the typical short-circuit current. Therefore, an on-chip thermal shutdown circuit is provided to protect the OPA354 from dangerously high junction temperatures. At  $160^\circ\text{C}$ , the protection circuit will shut down the amplifier. Normal operation will resume when the junction temperature cools to below  $140^\circ\text{C}$ .

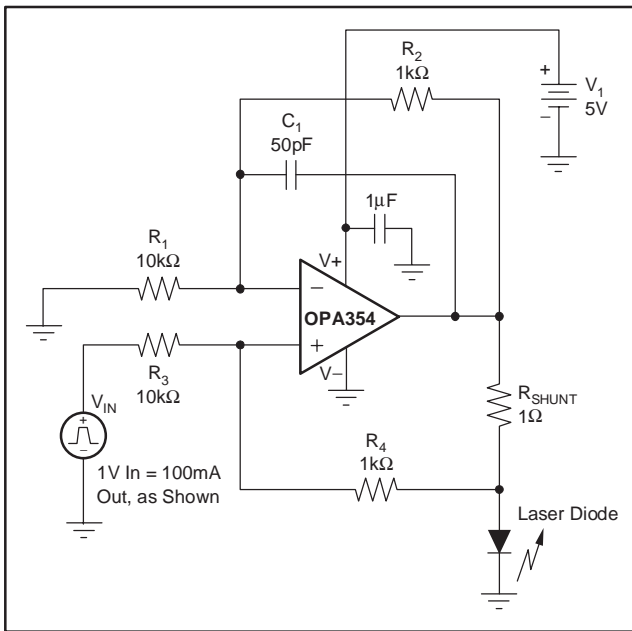


Figure 2. Laser Diode Driver

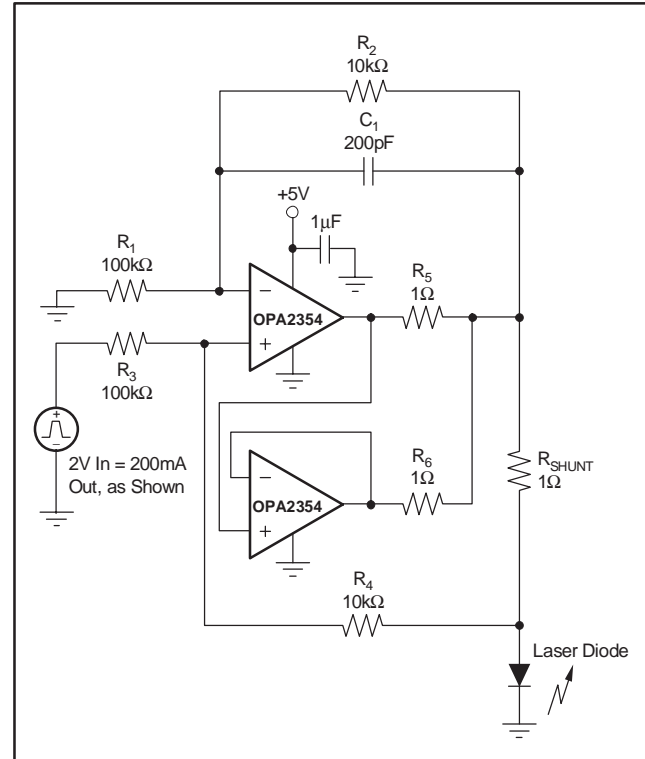


Figure 3. Parallel Operation

## VIDEO

The OPA354 output stage is capable of driving standard back-terminated 75Ω video cables, as shown in Figure 4. By back-terminating a transmission line, it does not exhibit a capacitive load to its driver. A properly back-terminated 75Ω cable does not appear as capacitance; it presents only a 150Ω resistive load to the OPA354 output.

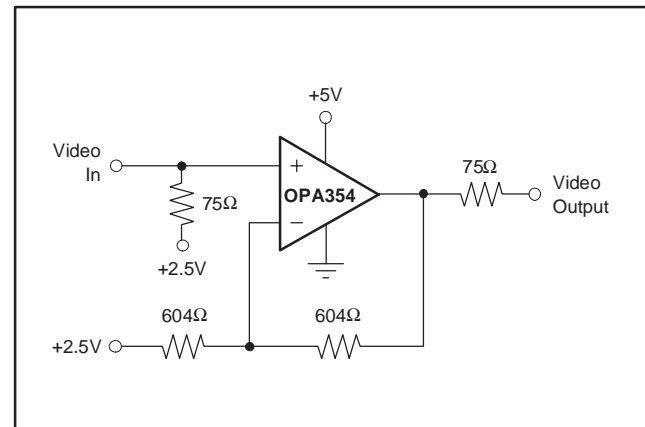


Figure 4. Single-Supply Video Line Driver

The OPA354 can be used as an amplifier for RGB graphic signals, which have a voltage of zero at the video black level, by offsetting and AC-coupling the signal. See Figure 5.

### DRIVING ANALOG-TO-DIGITAL CONVERTERS

The OPA354 series op amps offer 60ns of settling time to 0.01%, making them a good choice for driving high- and medium-speed sampling A/D converters and reference

circuits. The OPA354 series provide an effective means of buffering the A/D converter's input capacitance and resulting charge injection while providing signal gain. For applications requiring high DC accuracy, the OPA350 series is recommended.

Figure 6 illustrates the OPA354 driving an A/D converter. With the OPA354 in an inverting configuration, a capacitor across the feedback resistor can be used to filter high-frequency noise in the signal.

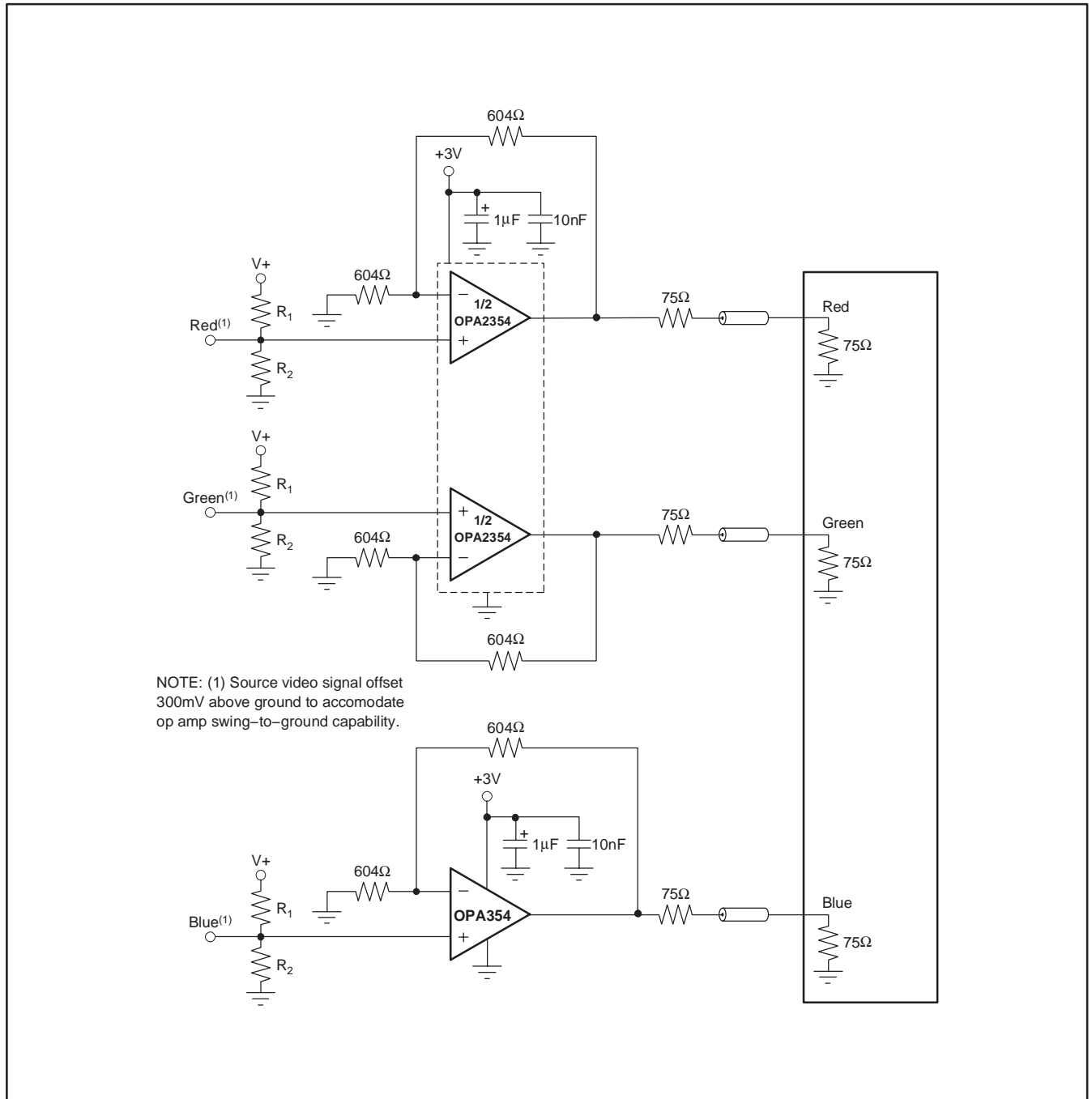


Figure 5. RGB Cable Driver

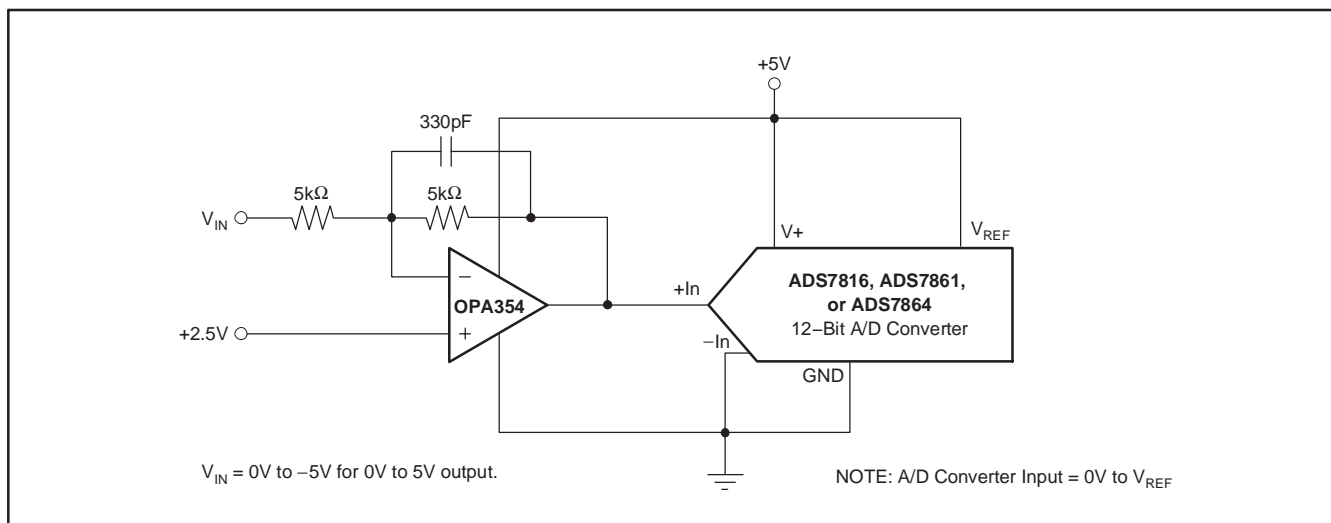


Figure 6. The OPA354 in Inverting Configuration Driving the ADS7816

## CAPACITIVE LOAD AND STABILITY

The OPA354 series op amps can drive a wide range of capacitive loads. However, all op amps under certain conditions may become unstable. Op amp configuration, gain, and load value are just a few of the factors to consider when determining stability. An op amp in unity-gain configuration is most susceptible to the effects of capacitive loading. The capacitive load reacts with the op amp's output resistance, along with any additional load resistance, to create a pole in the small-signal response that degrades the phase margin. Refer to the typical characteristic curve *Frequency Response for Various  $C_L$*  for details.

The OPA354's topology enhances its ability to drive capacitive loads. In unity gain, these op amps perform well with large capacitive loads. Refer to the typical characteristic curve *Recommended  $R_S$  vs Capacitive Load* and *Frequency Response vs Capacitive Load* for details.

One method of improving capacitive load drive in the unity-gain configuration is to insert a 10 $\Omega$  to 20 $\Omega$  resistor in series with the output, as shown in Figure 7. This significantly reduces ringing with large capacitive loads—see the typical characteristic curve *Frequency Response vs Capacitive Load*. However, if there is a resistive load in parallel with the capacitive load,  $R_S$  creates a voltage divider. This introduces a DC error at the output and slightly reduces output swing. This error may be insignificant. For instance, with  $R_L = 10\text{k}\Omega$  and  $R_S = 20\Omega$ , there is only about a 0.2% error at the output.

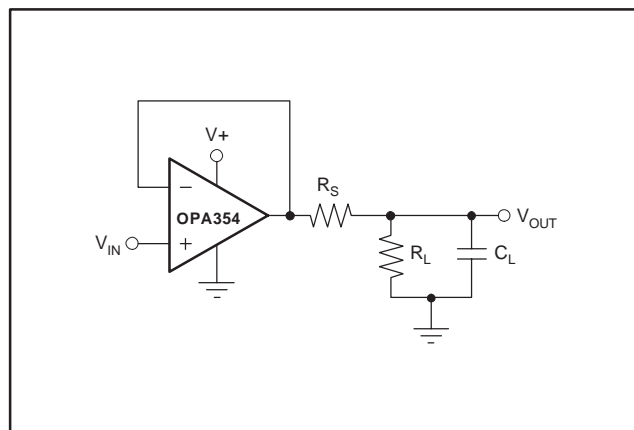
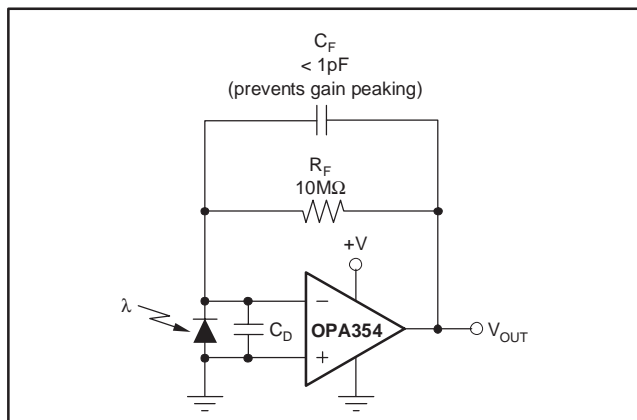


Figure 7. Series Resistor in Unity-Gain Configuration Improves Capacitive Load Drive

## WIDEBAND TRANSIMPEDANCE AMPLIFIER

Wide bandwidth, low input bias current, and low input voltage and current noise make the OPA354 an ideal wideband photodiode transimpedance amplifier for low-voltage single-supply applications. Low-voltage noise is important because photodiode capacitance causes the effective noise gain of the circuit to increase at high frequency.

The key elements to a transimpedance design, as shown in Figure 8, are the expected diode capacitance (including the parasitic input common-mode and differential-mode input capacitance (2 + 2)pF for the OPA354), the desired transimpedance gain ( $R_F$ ), and the Gain-Bandwidth Product (GBW) for the OPA354 (100MHz). With these 3 variables set, the feedback capacitor value ( $C_F$ ) may be set to control the frequency response.



**Figure 8. Transimpedance Amplifier**

To achieve a maximally flat 2nd-order Butterworth frequency response, the feedback pole should be set to:

$$\frac{1}{2\pi R_F C_F} = \sqrt{\frac{GBP}{4\pi R_F C_D}} \quad (1)$$

Typical surface-mount resistors have a parasitic capacitance of around 0.2pF that must be deducted from the calculated feedback capacitance value.

Bandwidth is calculated by:

$$f_{-3dB} = \sqrt{\frac{GBP}{2\pi R_F C_D}} \text{ Hz} \quad (2)$$

For even higher transimpedance bandwidth, the high-speed CMOS OPA355 (200MHz GBW) or the OPA655 (400MHz GBW) may be used.

## PCB LAYOUT

Good high-frequency printed circuit board (PCB) layout techniques should be employed for the OPA354. Generous use of ground planes, short and direct signal traces, and a suitable bypass capacitor located at the V+ pin will assure clean, stable operation. Large areas of copper also provides a means of dissipating heat that is generated in normal operation.

Sockets are definitely not recommended for use with any high-speed amplifier.

A 10nF ceramic bypass capacitor is the minimum recommended value; adding a 1μF or larger tantalum capacitor in parallel can be beneficial when driving a low-resistance load. Providing adequate bypass capacitance is essential to achieving very low harmonic and intermodulation distortion.

## POWER DISSIPATION

Power dissipation depends on power-supply voltage, signal and load conditions. With DC signals, power dissipation is equal to the product of output current times the voltage across the conducting output transistor,  $V_S - V_O$ . Power dissipation can be minimized by using the lowest possible power-supply voltage necessary to assure the required output voltage swing.

For resistive loads, the maximum power dissipation occurs at a DC output voltage of one-half the power-supply voltage. Dissipation with AC signals is lower. Application Bulletin AB-039 (SBOA022), *Power Amplifier Stress and Power Handling Limitations*, explains how to calculate or measure power dissipation with unusual signals and loads, and can be found at [www.ti.com](http://www.ti.com).

Any tendency to activate the thermal protection circuit indicates excessive power dissipation or an inadequate heatsink. For reliable operation, junction temperature should be limited to 150°C, maximum. To estimate the margin of safety in a complete design, increase the ambient temperature until the thermal protection is triggered at 160°C. The thermal protection should trigger more than 35°C above the maximum expected ambient condition of your application.

## PowerPAD THERMALLY ENHANCED PACKAGE

Besides the regular SOT23-5 and MSOP-8, the single and dual versions of the OPA354 also come in SO-8 PowerPAD. The SO-8 PowerPAD is a standard-size SO-8 package where the exposed leadframe on the bottom of the package can be soldered directly to the PCB to create an extremely low thermal resistance. This will enhance the OPA354's power dissipation capability significantly and eliminates the use of bulky heatsinks and slugs traditionally used in thermal packages. This package can be easily mounted using standard PCB assembly techniques. NOTE: Since the SO-8 PowerPAD is pin-compatible with standard SO-8 packages, the OPA354 and OPA2354 can directly replace operational amplifiers in existing sockets. Soldering the PowerPAD to the PCB is always required, even with applications that have low power dissipation. This provides the necessary thermal and mechanical connection between the leadframe die pad and the PCB.

The PowerPAD package is designed so that the leadframe die pad (or thermal pad) is exposed on the bottom of the IC, as shown in Figure 9. This provides an extremely low thermal resistance ( $\theta_{JC}$ ) path between the die and the exterior of the package. The thermal pad on the bottom of the IC can then be soldered directly to the PCB, using the PCB as a heatsink. In addition, plated-through holes (vias) provide a low thermal resistance heat flow path to the back side of the PCB.

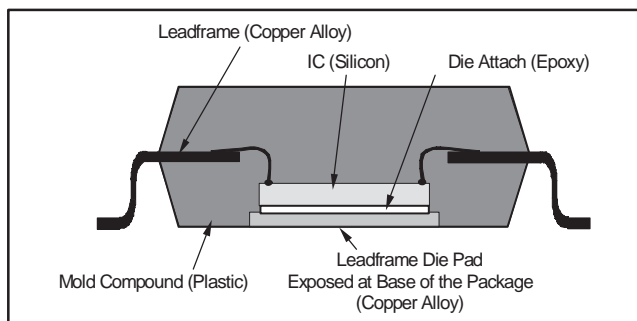


Figure 9. Section View of a PowerPAD Package

## PowerPAD ASSEMBLY PROCESS

1. The PowerPAD must be connected to the device's most negative supply voltage, which will be ground in single-supply applications, and V- in split-supply applications.

2. Prepare the PCB with a top-side etch pattern, as shown in Figure 10. The exact land design may vary based on the specific assembly process requirements. There should be etch for the leads as well as etch for the thermal land.

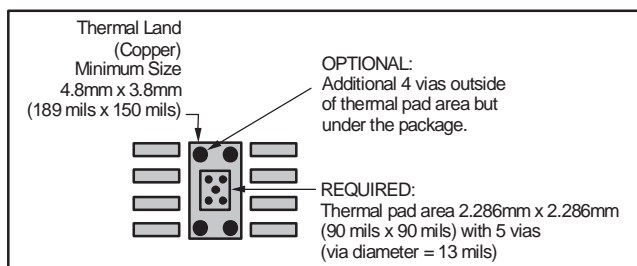


Figure 10. 8-Pin PowerPAD PCB Etch and Via Pattern

3. Place the recommended number of plated-through holes (or thermal vias) in the area of the thermal pad. These holes should be 13 mils in diameter. They are kept small so that solder wicking through the holes is not a problem during reflow. The minimum recommended number of holes for the SO-8 PowerPAD package is 5, as shown in Figure 10.

4. It is recommended, but not required, to place a small number of additional holes under the package and outside the thermal pad area. These holes provide additional heat paths between the copper thermal land and the ground plane. They may be larger because they are not in the area to be soldered, so wicking is not a problem. This is illustrated in Figure 10.

5. Connect all holes, including those within the thermal pad area and outside the pad area, to the internal ground plane or other internal copper plane for single-supply applications, and to V- for split-supply applications.

6. When laying out these holes, do not use the typical web or spoke via connection methodology, as shown in Figure 11. Web connections have a high thermal resistance connection that is useful for slowing the heat transfer during soldering operations. This makes soldering the vias that have ground plane connections easier. However, in this application, low thermal resistance is desired for the most efficient heat transfer. Therefore, the holes under the PowerPAD package should make their connection to the internal ground plane with a complete connection around the entire circumference of the plated-through hole.

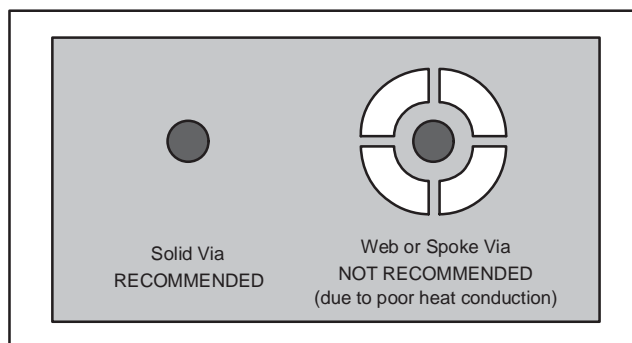


Figure 11. Via Connection

7. The top-side solder mask should leave the pad connections and the thermal pad area exposed. The thermal pad area should leave the 13 mil holes exposed. The larger holes outside the thermal pad area may be covered with solder mask.

8. Apply solder paste to the exposed thermal pad area and all of the package terminals.

9. With these preparatory steps in place, the PowerPAD IC is simply placed in position and run through the solder reflow operation as any standard surface-mount component. This results in a part that is properly installed.

For detailed information on the PowerPAD package including thermal modeling considerations and repair procedures, please see Technical Brief SLMA002, *PowerPAD Thermally Enhanced Package*, located at [www.ti.com](http://www.ti.com).



**PACKAGING INFORMATION**

Orderable Device	Status <sup>(1)</sup>	Package Type	Package Drawing	Pins	Package Qty	Eco Plan <sup>(2)</sup>	Lead/Ball Finish	MSL Peak Temp <sup>(3)</sup>
OPA2354AIDDA	ACTIVE	SO Power PAD	DDA	8	100	None	CU SNPB	Level-3-235C-168 HR
OPA2354AIDDAR	ACTIVE	SO Power PAD	DDA	8	2500	None	CU SNPB	Level-3-235C-168 HR
OPA2354AIDGKR	ACTIVE	MSOP	DGK	8	2500	None	CU NIPDAU	Level-1-220C-UNLIM
OPA2354AIDGKT	ACTIVE	MSOP	DGK	8	250	None	CU NIPDAU	Level-1-220C-UNLIM
OPA354AIDBVR	ACTIVE	SOT-23	DBV	5	3000	None	CU NIPDAU	Level-3-250C-168 HR
OPA354AIDBVT	ACTIVE	SOT-23	DBV	5	250	None	CU NIPDAU	Level-3-250C-168 HR
OPA354AIDDA	ACTIVE	SO Power PAD	DDA	8	100	None	Call TI	Level-2-235C-1 YEAR
OPA354AIDDAR	ACTIVE	SO Power PAD	DDA	8	2500	None	Call TI	Level-1-235C-UNLIM
OPA4354AID	ACTIVE	SOIC	D	14	58	None	CU NIPDAU	Level-1-220C-UNLIM
OPA4354AIDR	ACTIVE	SOIC	D	14	2500	None	CU NIPDAU	Level-1-220C-UNLIM
OPA4354AIPWR	ACTIVE	TSSOP	PW	14	2500	None	CU NIPDAU	Level-3-220C-168 HR
OPA4354AIPWRG4	PREVIEW	TSSOP	PW	14	2500	None	Call TI	Call TI
OPA4354AIPWT	ACTIVE	TSSOP	PW	14	250	None	CU NIPDAU	Level-3-220C-168 HR

<sup>(1)</sup> The marketing status values are defined as follows:

**ACTIVE:** Product device recommended for new designs.

**LIFEBUY:** TI has announced that the device will be discontinued, and a lifetime-buy period is in effect.

**NRND:** Not recommended for new designs. Device is in production to support existing customers, but TI does not recommend using this part in a new design.

**PREVIEW:** Device has been announced but is not in production. Samples may or may not be available.

**OBsolete:** TI has discontinued the production of the device.

<sup>(2)</sup> Eco Plan - May not be currently available - please check <http://www.ti.com/productcontent> for the latest availability information and additional product content details.

**None:** Not yet available Lead (Pb-Free).

**Pb-Free (RoHS):** TI's terms "Lead-Free" or "Pb-Free" mean semiconductor products that are compatible with the current RoHS requirements for all 6 substances, including the requirement that lead not exceed 0.1% by weight in homogeneous materials. Where designed to be soldered at high temperatures, TI Pb-Free products are suitable for use in specified lead-free processes.

**Green (RoHS & no Sb/Br):** TI defines "Green" to mean "Pb-Free" and in addition, uses package materials that do not contain halogens, including bromine (Br) or antimony (Sb) above 0.1% of total product weight.

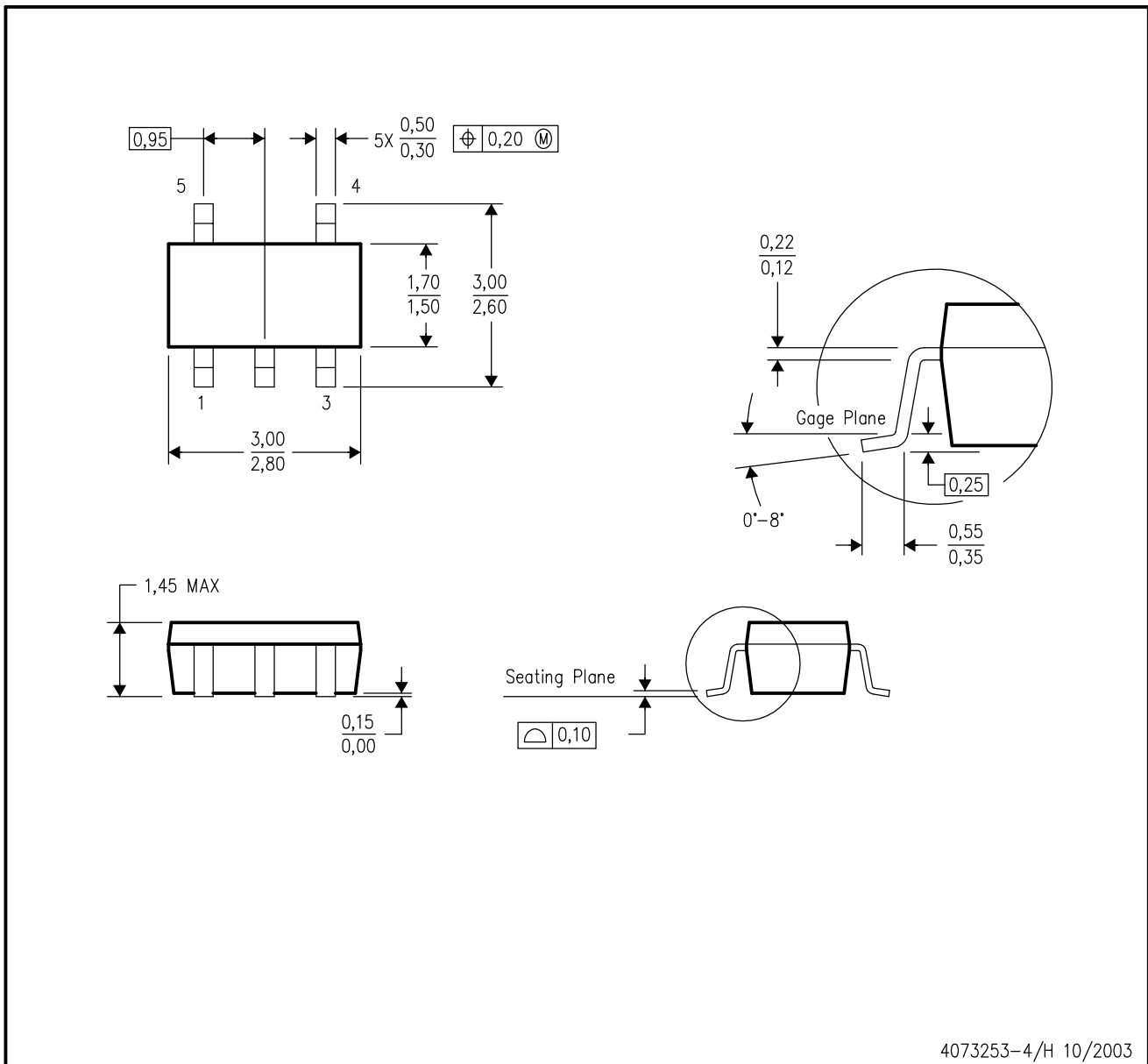
<sup>(3)</sup> MSL, Peak Temp. -- The Moisture Sensitivity Level rating according to the JEDEC industry standard classifications, and peak solder temperature.

**Important Information and Disclaimer:** The information provided on this page represents TI's knowledge and belief as of the date that it is provided. TI bases its knowledge and belief on information provided by third parties, and makes no representation or warranty as to the accuracy of such information. Efforts are underway to better integrate information from third parties. TI has taken and continues to take reasonable steps to provide representative and accurate information but may not have conducted destructive testing or chemical analysis on incoming materials and chemicals. TI and TI suppliers consider certain information to be proprietary, and thus CAS numbers and other limited information may not be available for release.

In no event shall TI's liability arising out of such information exceed the total purchase price of the TI part(s) at issue in this document sold by TI to Customer on an annual basis.

DBV (R-PDSO-G5)

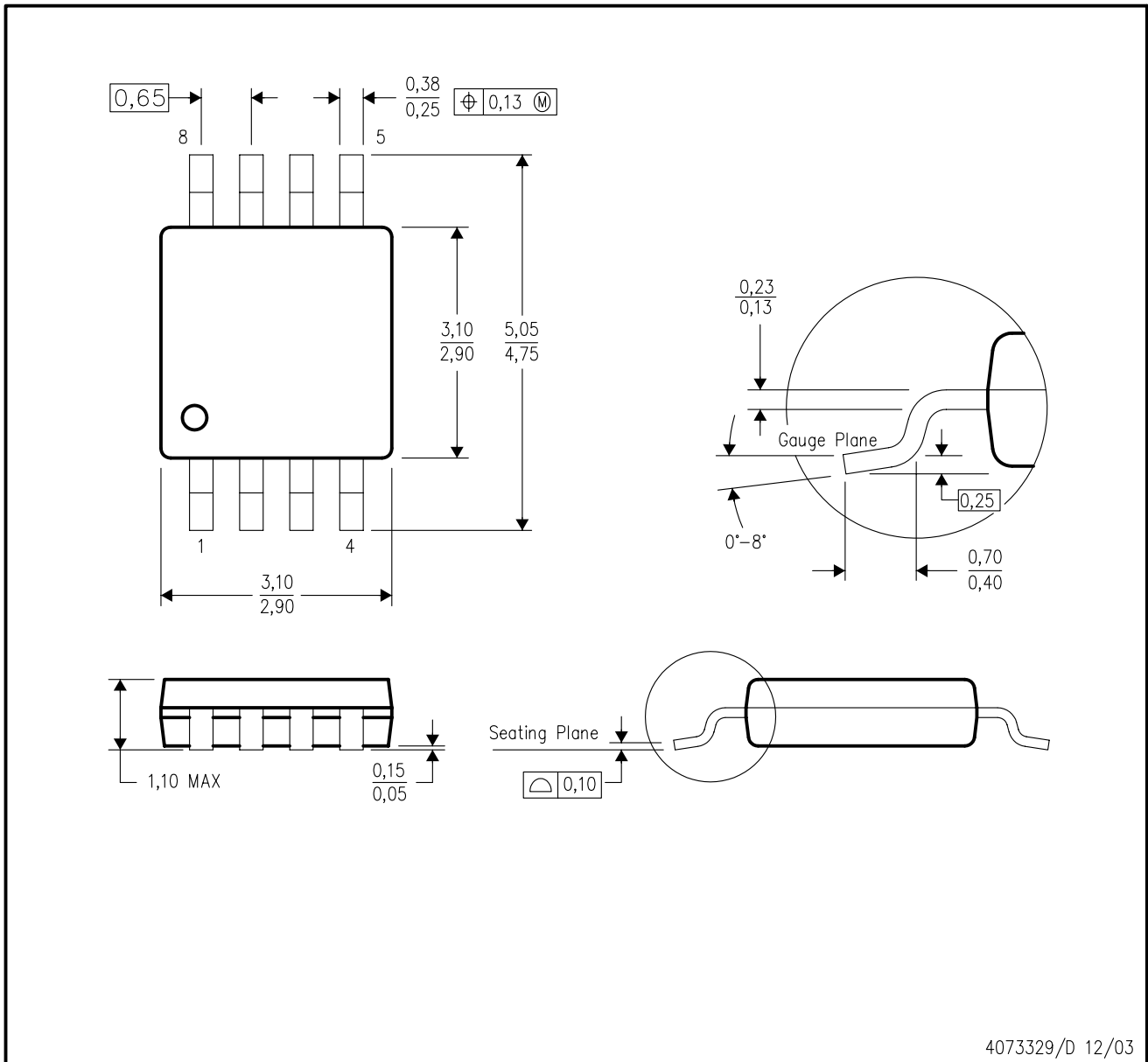
PLASTIC SMALL-OUTLINE PACKAGE



- NOTES:
- A. All linear dimensions are in millimeters.
  - B. This drawing is subject to change without notice.
  - C. Body dimensions do not include mold flash or protrusion.
  - D. Falls within JEDEC MO-178 Variation AA.

DGK (S-PDSO-G8)

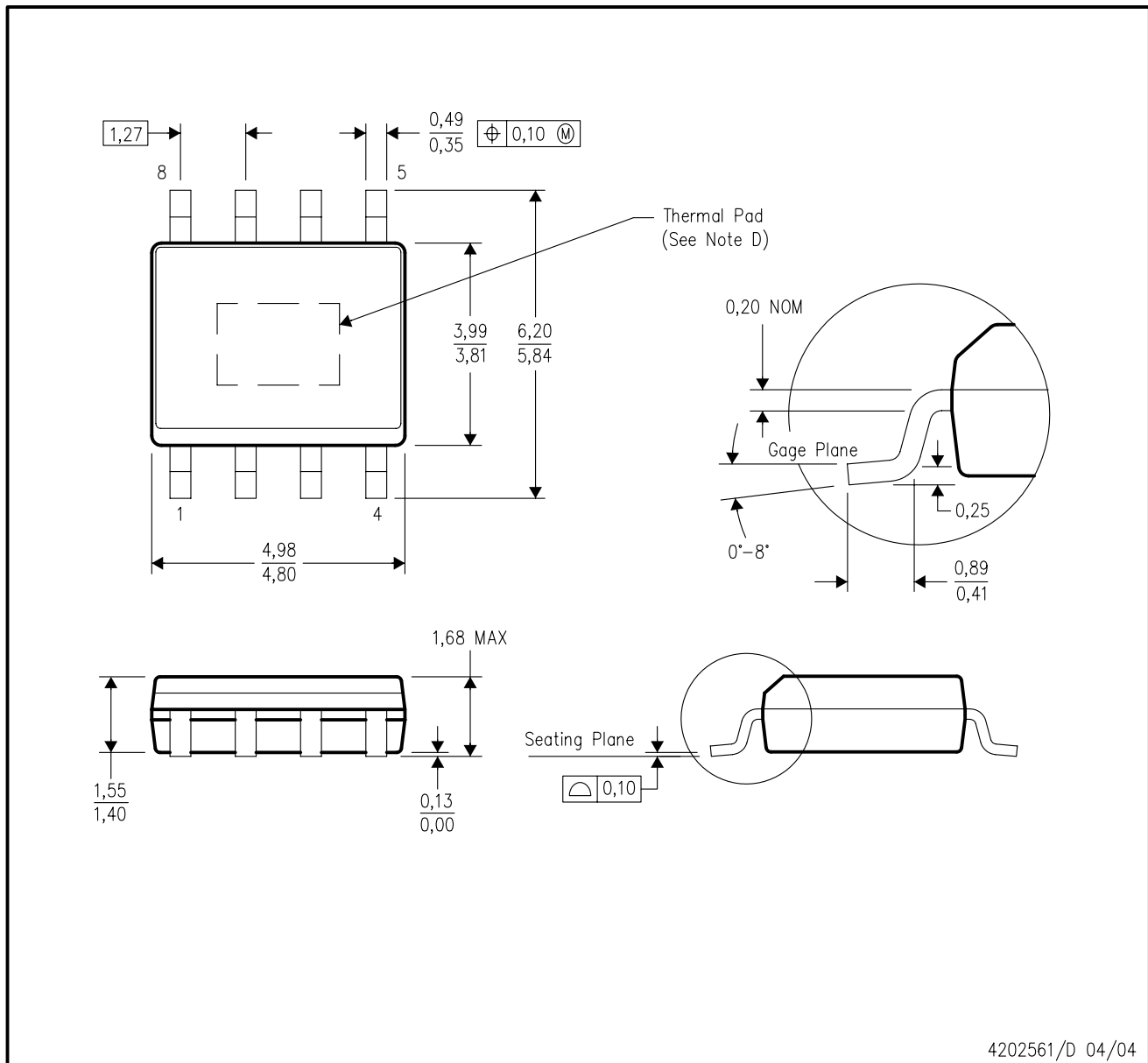
PLASTIC SMALL-OUTLINE PACKAGE



- NOTES:
- A. All linear dimensions are in millimeters.
  - B. This drawing is subject to change without notice.
  - C. Body dimensions do not include mold flash or protrusion.
  - D. Falls within JEDEC MO-187 variation AA.

DDA (R-PDSO-G8)

PowerPAD™ PLASTIC SMALL-OUTLINE PACKAGE



- NOTES:
- All linear dimensions are in millimeters.
  - This drawing is subject to change without notice.
  - Body dimensions do not include mold flash or protrusion not to exceed 0,15.
  - This package is designed to be soldered to a thermal pad on the board. Refer to Technical Brief, PowerPad Thermally Enhanced Package, Texas Instruments Literature No. SLMA002 for information regarding recommended board layout. This document is available at [www.ti.com](http://www.ti.com) <<http://www.ti.com>>.

PowerPAD is a trademark of Texas Instruments.

D (R-PDSO-G14)

PLASTIC SMALL-OUTLINE PACKAGE



- NOTES:
- A. All linear dimensions are in inches (millimeters).
  - B. This drawing is subject to change without notice.
  - C. Body dimensions do not include mold flash or protrusion not to exceed 0.006 (0,15).
  - D. Falls within JEDEC MS-012 variation AB.

PW (R-PDSO-G\*\*)

PLASTIC SMALL-OUTLINE PACKAGE

14 PINS SHOWN



4040064/F 01/97

- NOTES: A. All linear dimensions are in millimeters.  
 B. This drawing is subject to change without notice.  
 C. Body dimensions do not include mold flash or protrusion not to exceed 0,15.  
 D. Falls within JEDEC MO-153

## IMPORTANT NOTICE

Texas Instruments Incorporated and its subsidiaries (TI) reserve the right to make corrections, modifications, enhancements, improvements, and other changes to its products and services at any time and to discontinue any product or service without notice. Customers should obtain the latest relevant information before placing orders and should verify that such information is current and complete. All products are sold subject to TI's terms and conditions of sale supplied at the time of order acknowledgment.

TI warrants performance of its hardware products to the specifications applicable at the time of sale in accordance with TI's standard warranty. Testing and other quality control techniques are used to the extent TI deems necessary to support this warranty. Except where mandated by government requirements, testing of all parameters of each product is not necessarily performed.

TI assumes no liability for applications assistance or customer product design. Customers are responsible for their products and applications using TI components. To minimize the risks associated with customer products and applications, customers should provide adequate design and operating safeguards.

TI does not warrant or represent that any license, either express or implied, is granted under any TI patent right, copyright, mask work right, or other TI intellectual property right relating to any combination, machine, or process in which TI products or services are used. Information published by TI regarding third-party products or services does not constitute a license from TI to use such products or services or a warranty or endorsement thereof. Use of such information may require a license from a third party under the patents or other intellectual property of the third party, or a license from TI under the patents or other intellectual property of TI.

Reproduction of information in TI data books or data sheets is permissible only if reproduction is without alteration and is accompanied by all associated warranties, conditions, limitations, and notices. Reproduction of this information with alteration is an unfair and deceptive business practice. TI is not responsible or liable for such altered documentation.

Resale of TI products or services with statements different from or beyond the parameters stated by TI for that product or service voids all express and any implied warranties for the associated TI product or service and is an unfair and deceptive business practice. TI is not responsible or liable for any such statements.

Following are URLs where you can obtain information on other Texas Instruments products and application solutions:

<b>Products</b>		<b>Applications</b>	
Amplifiers	<a href="http://amplifier.ti.com">amplifier.ti.com</a>	Audio	<a href="http://www.ti.com/audio">www.ti.com/audio</a>
Data Converters	<a href="http://dataconverter.ti.com">dataconverter.ti.com</a>	Automotive	<a href="http://www.ti.com/automotive">www.ti.com/automotive</a>
DSP	<a href="http://dsp.ti.com">dsp.ti.com</a>	Broadband	<a href="http://www.ti.com/broadband">www.ti.com/broadband</a>
Interface	<a href="http://interface.ti.com">interface.ti.com</a>	Digital Control	<a href="http://www.ti.com/digitalcontrol">www.ti.com/digitalcontrol</a>
Logic	<a href="http://logic.ti.com">logic.ti.com</a>	Military	<a href="http://www.ti.com/military">www.ti.com/military</a>
Power Mgmt	<a href="http://power.ti.com">power.ti.com</a>	Optical Networking	<a href="http://www.ti.com/opticalnetwork">www.ti.com/opticalnetwork</a>
Microcontrollers	<a href="http://microcontroller.ti.com">microcontroller.ti.com</a>	Security	<a href="http://www.ti.com/security">www.ti.com/security</a>
		Telephony	<a href="http://www.ti.com/telephony">www.ti.com/telephony</a>
		Video & Imaging	<a href="http://www.ti.com/video">www.ti.com/video</a>
		Wireless	<a href="http://www.ti.com/wireless">www.ti.com/wireless</a>

Mailing Address: Texas Instruments  
Post Office Box 655303 Dallas, Texas 75265